

Fact Sheet

TPC15

BIZERBA

The fully automatic tray sealer TPC15 efficiently packages with MAP technology. Easy to operate and short set-up times thanks to tool-free change of sealing mold and integrated tray denester. Combined with Bizerba slicers, inspection and labeling systems, this is an efficient, demand-oriented and space-saving line solution from a single source.



More information
High performance
with a wide range of
solutions and options.

Specifications	Facts	Details
Functionality	Fully automatic	<ul style="list-style-type: none">– Product is automatically fed and sealed– Manual package feed optional
Supported applications and technologies	<ul style="list-style-type: none">– Tray sealing– MAP	Applications based on selected configuration and device equipment
Sealing mold	<ul style="list-style-type: none">– Quick and easy to replace– Packaging-specific molds depending on tray size/type– Automatic cutter	<ul style="list-style-type: none">– Molds made of anodized aluminum– Teflon coated sealing plates
Max. tray dimensions (W x L x H)	<ul style="list-style-type: none">– Package-specific sealing mold– Automatic film cutting at the tray edge– Applications: MAP	196 x 253 x 50 mm; min. height 25 mm
Usable tray materials	PE, PP, PET, PS, CPET, aluminum, paper	
Operator display	7" color touchscreen	<ul style="list-style-type: none">– Can be operated with gloves– Easy program selection & creation of new programs– Program backups possible– Country languages selectable in the menu
Max. film roll width	320 mm	
Max. core diameter of film roll	250 mm	
Throughput	Up to 10 cycles per minute	
Dimensions (W x H x D)	2,324 x 1,782 x 697 mm	Incl. tray denester
Weight	255 kg	
Housing	Stainless steel	AISI 304
Electrical connection	3 x 400 V+N+PE, 50 Hz	
Power consumption	3,700 W	
Rated current consumption	6 A	
Compressed air	6/8 bar	Compressed air connection to be provided by customer
Compressed air consumption	22 NI/cycle	NI = liters at normal conditions
Integrated BUSCH vacuum pump	63 m ³	Standard

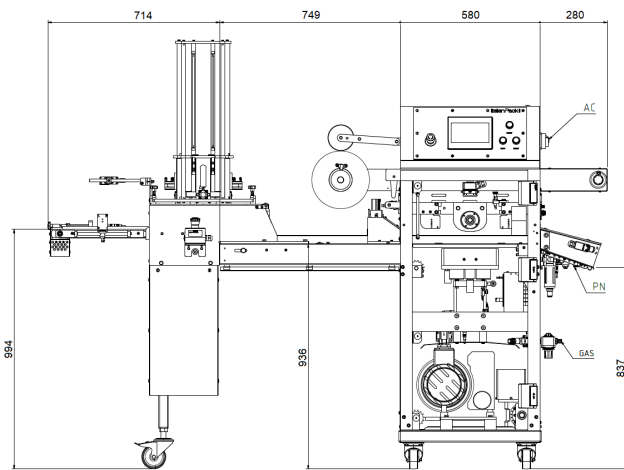
Options	Facts	Details
Alternative conveying direction	<ul style="list-style-type: none">– Right to left (standard)– Left to right	Suitable variants for different spatial conditions in the preparation room

Belt extension for manual feeding	Extended version of belt body between tray denester and sealing unit	For manual package feeding (in addition to automatic feeding)
Alternative vacuum pump	Red vacuum pump	BUSCH
Mold for easy-to-open packaging	Production of packages with easy-peel-corner	
External interfaces	LAN connection RJ45	For connection to the network, e.g. for remote support

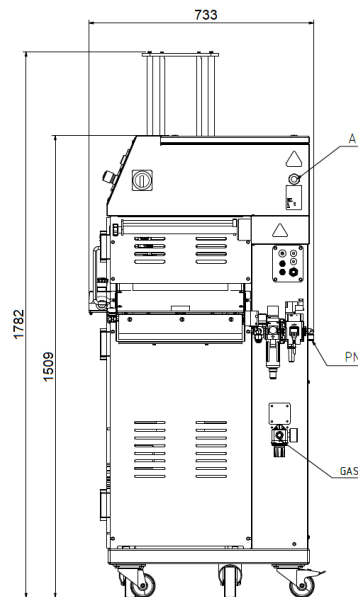
Info graphics



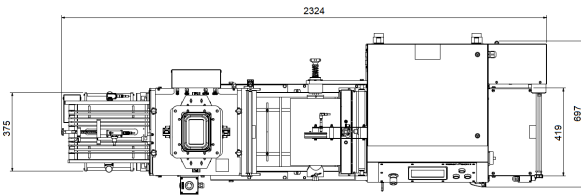
Dimensional drawings



Front view



Side view



Top view

Bizerba SE & Co. KG
Wilhelm-Kraut-Straße 65
72336 Balingen

T +49 7433 12-0
fax: +49 7433 12-2696
marketing@bizerba.com

www.bizerba.com