

# Fact Sheet

## EK-i

# BIZERBA

Choose the best for your weighing applications from a wider selection. High resolution of up to 1 / 60,000.

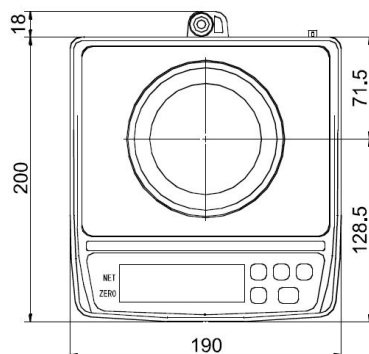
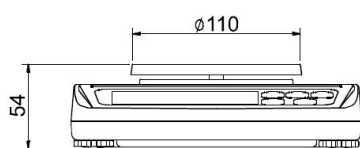


**More information**  
High performance with a wide range of solutions and options.

Specifications	Facts	Details
<b>Weighing capacity</b>	200 up to 12,000 g	
<b>Readability d</b>	0.01 g to 1 g	
<b>Counting</b>	5, 10, 25, 50 or 100 pieces	Number of samples
<b>Sensitivity drift</b>	±20 ppm/°C	10 °C - 30 °C 50 °F - 86 °F
<b>Display type</b>	Backlit 7-segment display	Digit height 16mm
<b>Display refresh rate</b>	10 times/second	
<b>Operating temperature</b>	-10 °C - 40 °C 14 °F - 104 °F	85% RH or less (no condensation)
<b>Net weight</b>	1.1 kg 1.5 kg	Ø 110 mm 133 x 170 mm
<b>Mains voltage</b>	appr. 11 VA	Supplied by AC adapter Confirm that the adapter type is correct for the local voltage and power receptacle.

Options	Facts	Details
<b>Verifiable version</b>	600 g, e = 0.1 g 6,000 g, e = 1 g	EK-610i-EC EK-6100i-EC
<b>Battery</b>	Rechargeable battery pack	Ni-MH
<b>Carrying case</b>		
<b>Protective cover</b>	5 pcs	

### Maßzeichnungen



Gram	Decimal Ounce (oz)	Decimal Pound (oz)	Troy Ounce (ozt)	Pennyweight (dwt)	Carat (ct)	Momme (mom)	Grain Unit (GN)	Tael(H.K General)(tl)	Linearity	Repeatability (Standard Deviation)	Sensitivity drift (10°C to 30°C/ 50°F-80°F)	Counting mode, Max. count	Counting mode, Min. unit weight	Percent mode, Min. div.	Percent mode, Min. 100% weight
<b>≥ 110 mm / 4.3inches</b>															
200 g / 0.01 g	7.0550 x 0.0005	-	6.4300 x 0.0005	128.60 x 0.01	1000.00 x 0.05	53.335 x 0.00	3086.4 x 0.2	5.2910 x 0.0005	±0.01g	0.01g	±20ppm°C	20,000 pcs	0.01g	0.1%	1g
400 g / 0.01 g	14.110 x 0.001	0.8818 x 0.0001	12.860 x 0.001	257.21 x 0.01	2000.0 x 0.1	106.665 x 0.005	6173.0 x 0.2	10.5820 x 0.0005	±0.02g	0.01g	(10°C-30°C/	40,000 pcs	0.01g	0.1%	1g
600 g / 0.01 g	21.164 x 0.001	1.3228 x 0.0001	19.290 x 0.001	385.81 x 0.01	3000.0 x 0.1	160.000 x 0.005	9259.4 x 0.2	15.8735 x 0.0005	±0.02g	0.01g	/50°F-86°F)	60,000 pcs	0.01g	0.1%	1g
<b>133 x 170mm / 5.2 x 6.7inches</b>															
1200 g / 0.1 g	42.330 x 0.005	2.6455 x 0.0005	38.580 x 0.005	771.6 x 0.1	6000.0 x 0.5	320.00 x 0.05	18518 x 2	31.745 x 0.005	±0.1g	0.1g		12,000 pcs	0.1 g	0.1%	10g
3000 g / 0.1 g	105.820 x 0.005	6.6140 x 0.0005	96.450 x 0.005	1929.0 x 0.1	15000.0 x 0.5	800.00 x 0.05	46298 x 2	79.365 x 0.005	±0.2g	0.1g	±20ppm°C	30,000 pcs	0.1 g	0.1%	10g
4000 g / 0.1 g	141.10 x 0.01	8.818 x 0.001	128.60 x 0.01	2572.1 x 0.1	20000 x 1	1066.65 x 0.05	61730 x 2	105.820 x 0.005	±0.2g	0.1g	(10°C-30°C/	40,000 pcs	0.1 g	0.1%	10g
6000 g / 0.1 g	211.64 x 0.01	13.228 x 0.001	192.90 x 0.01	3858.1 x 0.1	30000 x 1	1600.00 x 0.05	92594 x 2	158.735 x 0.005	±0.2g	0.1g	/50°F-86°F)	60,000 pcs	0.1 g	0.1%	10g
6000 g / 1 g	211.65 x 0.05	13.230 x 0.005	192.90 x 0.05	3858 x 1	-	1600.0 x 0.5	-	158.75 x 0.05	±0.2g	0.1g		6,000 pcs	0.1 g	0.1%	10g
12000 g / 1 g	423.30 x 0.05	26.455 x 0.005	385.80 x 0.05	7716 x 1	-	3200.0 x 0.5	-	317.45 x 0.05	±0.2g	0.1g		12,000 pcs	0.1 g	0.1%	10g

**Bizerba SE & Co. KG**  
 Wilhelm-Kraut-Straße 65  
 72336 Balingen

T +49 7433 12-0  
 fax: +49 7433 12-2696  
 marketing@bizerba.com

**www.bizerba.com**