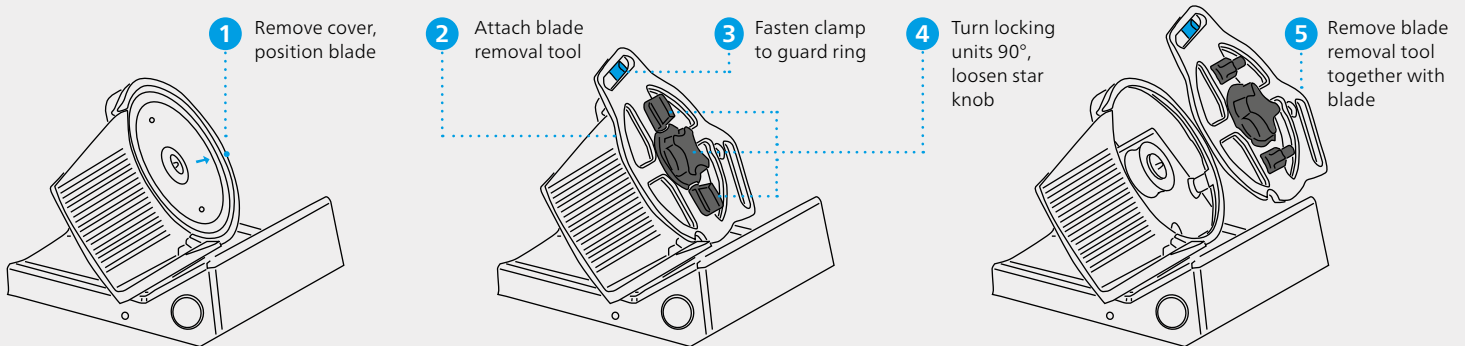


Safe Blade Remover

Tool-free blade removal



Maximum work safety thanks to non-contact handling: The Safe Blade Remover for new GSP slicers prevents any direct contact with the blade during removal, cleaning and reinsertion.

Highlights

- Removal, assembly and cleaning entirely contact-free
- Dishwasher-safe blade removal tool
- Quick blade removal with a few simple moves
- Removal without additional tools
- Ergonomic, robust and long-lasting design

Safe, touchless blade removal

Blade cleaning is the most common cause of injury when operating slicers. Put an end to it now: With the Safe Blade Remover for our GSP slicers, operators cannot touch the blade at any time – no more cutting injuries.

Cleaning without tools and completely without contact

The blade can be removed completely without contact and without further tools using the blade removal tool. Afterwards it is firmly connected to it. Tool and blade are placed together in the dishwasher. After cleaning, the blade can be reinserted without contact using the tool. During the entire process, direct contact of the operator with the blade is excluded.

Bizerba SE & Co. KG
Wilhelm-Kraut-Straße 65
72336 Balingen
Germany

T +49 7433 12-0
F +49 7433 12-2696

www.bizerba.com

BIZERBA