

Fact Sheet

A660

BIZERBA

Fully automatic slicer with integrated weighing technology for portioning and weighing of individual slices. With fully automatic product fixation. Easy to service and very robust – perfect for industrial use.



More information
High performance
with a wide range of
solutions and options.

Specifications	Facts	Details
Dimensions		
Installation area (L x W)	1666 x 821 mm / 65.6" x 32.3"	
Maximum dimensions (L x W x H)	2359 x 838 x 2166 mm / 92.9" x 33.0" x 85.3"	Conveyor length: 1310 mm
Electrical data		
Power consumption	200-240 V; 50/60 Hz 400 V; 50 Hz; 5.6 A	3-phase alternating current 3-phase alternating current
IP rating	IPx5	Suitable for hose cleaning, individual components can be cleaned in the dishwasher
Performance data		L-frame:
Product size	Height: 30 - 180 mm / 1.2" - 7.1" Width: 50 - 210 mm / 2.0" - 8.3" Round: Ø 40 - 180 mm / 1.6" - 7.1" Length: 900 mm / 35.4"	
Slicing performance	40 - 300 slices per minute	With and without scale
Slice thickness	0.5 - 50 mm / 0.02" - 2.0"	Adjustable in increments of 0.1 mm
Blade diameter	420 mm / 16.5"	
Housing materials	Stainless steel and anodized aluminum Plastics	Complies with EU regulation No. 1935/2004 Complies with EU regulation No. 10/2011
Display	Touch screen	Screen diagonal 14.5 cm / 5.7"
Weight		
Machine weight	approx. 600 kg / 1322.8 lb	
Packaging data		
Dimensions L x W x H	2498 x 938 x 1697 mm / 98.9" x 36.9" x 66.8"	
Weight	approx. 750 kg / 1653.47 lb	
Options		
Discharge conveyor	950 mm / 37.4" 1310 mm / 51.6" 2500 mm / 98.4"	Short/ Standard Long
Scale	50 - 2000 g / 0.1-4.5 lb 1 g / 0.002 lb	Weighing range Interval

Info graphics



Symbole



CE

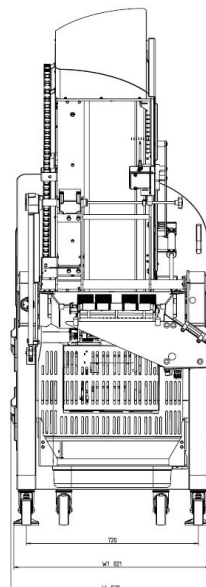
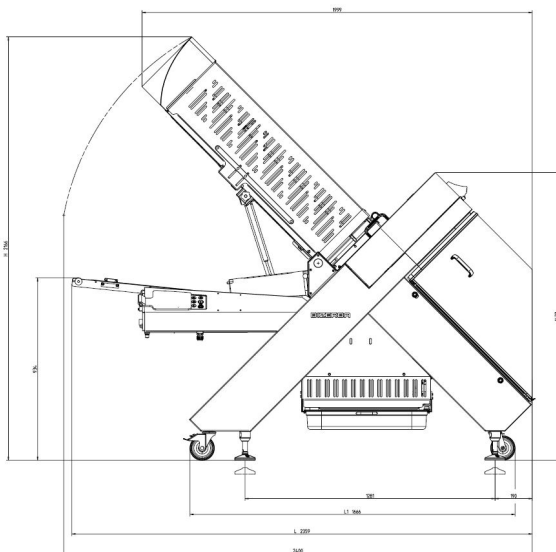


DGVV-Test
(GS)



UL Listed
(UL/cUL)

Dimensional drawings



A660

Bizerba SE & Co. KG

Wilhelm-Kraut-Straße 65
72336 Balingen

T +49 7433 12-0
fax: +49 7433 12-2696
marketing@bizerba.com

www.bizerba.com